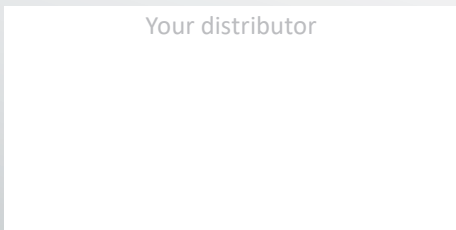


TBASL-Series

Battery Tightening Tool



Your distributor



Premium Power Tools



MADE IN GERMANY



HS-Technik GmbH
High - System - Technik

TBASL-Series

Overview technical data

- Shortest design for perfect accessibility
- High precision shut-off clutch
- Programmable speed (HST-Tool-Manager)
- Multi-color status LED
- Intelligent battery management
- Adjustable work area LED¹
- Result visualisation via work area LED (green light = OK / red blinking = NOK)²
- Large lever start for optimized handling



Model	Torque	Maximum speed	Tool adapter	Dimensions L x W x H	Weight
TBASL-5-2	1.0 - 4.5 Nm (8.85 - 39.83 lbf in)	590 rpm	1/4" square	329 x 72 x 92 mm (12.95 x 2.83 x 3.62 in)	1.20 kg (2.65 lbs)
TBASL-5-4	1.0 - 4.5 Nm (8.85 - 39.83 lbf in)	590 rpm	1/4" - Form E	329 x 72 x 92 mm (12.95 x 2.83 x 3.62 in)	1.20 kg (2.65 lbs)
TBASL-10-2	1.5 - 9.0 Nm (13.28 - 79.66 lbf in)	590 rpm	1/4" square	329 x 72 x 92 mm (12.95 x 2.83 x 3.62 in)	1.30 kg (2.87 lbs)
TBASL-10-4	1.5 - 9.0 Nm (13.28 - 79.66 lbf in)	590 rpm	1/4" - Form E	329 x 72 x 92 mm (12.95 x 2.83 x 3.62 in)	1.30 kg (2.87 lbs)
TBASL-20-3	5.0 - 20.0 Nm (44.25 - 177.01 lbf in)	290 rpm	3/8" square	322 x 72 x 92 mm (12.68 x 2.83 x 3.62 in)	1.30 kg (2.87 lbs)
TBASL-5-91901323	1.5 - 5.5 Nm (13.28 - 48.68 lbf in)	310 rpm	1/4" square	335 x 72 x 92 mm (13.19 x 2.83 x 3.62 in)	1.40 kg (3.09 lbs)

Dimensions and weight indications without battery.

1 Multi-colour LED

Tool status information for operator.

2 Brushless motor

for a higher idle speed and faster, powerful working capacity, maintenance-free

3 Clutch entry

Quick and easy clutch adjustment

4 Clockwise / counter clockwise direction

perfect operation thanks to push trigger

5 Start trigger

ergonomic form

6 18 V Li-ion battery

18 Volt, 2.5 Ah / 5.0 Ah

7 LED for work area lighting

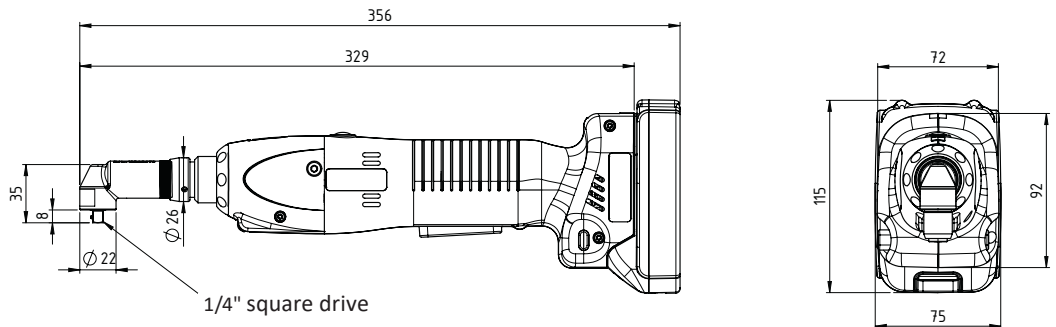
8 Angle head



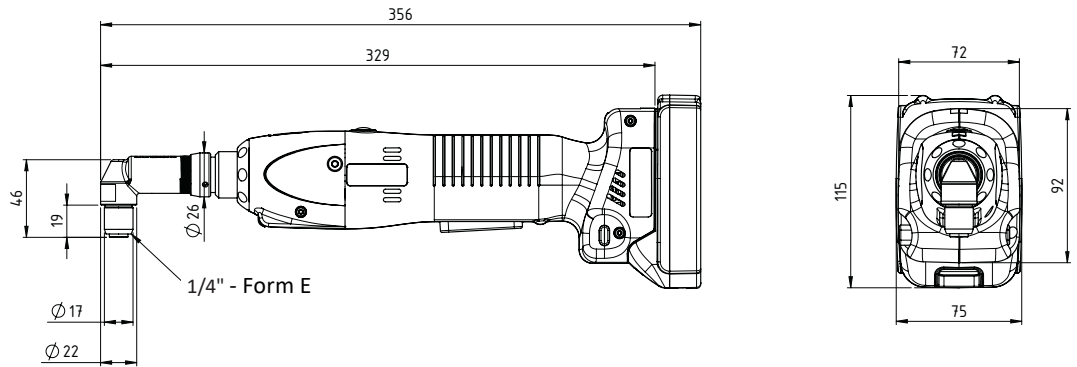
TBASL-Series

Drawings

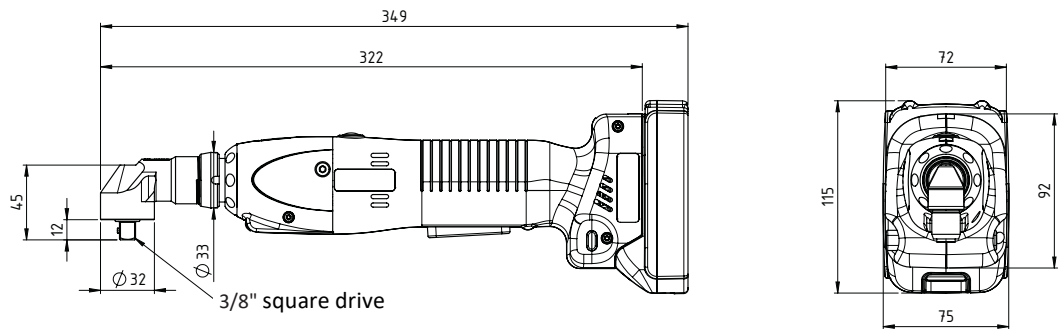
TBASL-5-2
TBASL-10-2



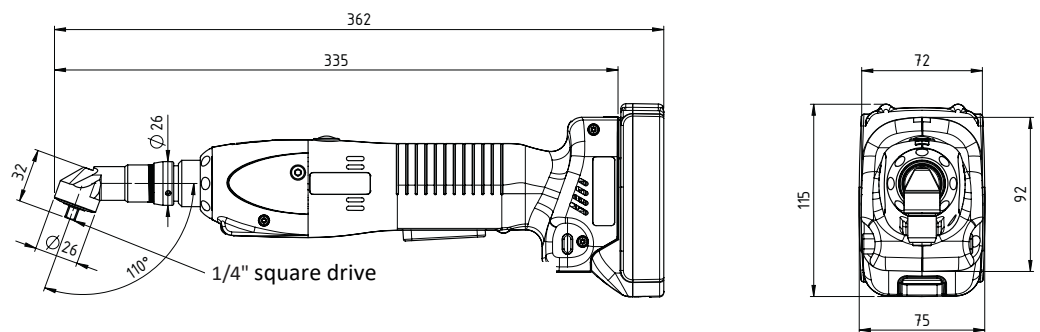
TBASL-5-4
TBASL-10-4



TBASL-20-3



TBASL-5-91901323



HS-T*technik* GmbH

High - System - Technik

Im Martelacker 12

D-79588 Efringen-Kirchen

Phone: +49 (0) 76 28 - 91 11-0

Fax: +49 (0) 76 28 - 91 11-90

E-mail: info@hs-technik.com

Internet: www.hs-technik.com

© Copyright July 2023

Subject to modifications and errors. All figures are non-binding.

We reserve the right to make technical changes to our products and the range of products as a result of further development.

Reproduction and the use of texts, even excerpts of our brochures is prohibited and will be prosecuted.