

OPERATING INSTRUCTIONS

TotiqBee®

- Original operating instructions -



NOTE

In case of doubt, the original German version of the operating instructions applies.

Battery tightening tool

TBASL-5-2 / TBASL-10-2 / TBASL-20-3

Issue date: February 2021

Tool Firmware: from 2.6.0.8

HST-Tool-Manager: from 2.0.6.0

Table of contents

PAGE	4	1 Operating principles	
		1.1	Scope of delivery 4
		1.2	General information 4
		1.3	Signs and symbols used 5
		1.4	Structure of the warnings 6
		1.5	Technical terms and abbreviations used 6
		1.6	Intended use 7
		1.7	Improper use 7
		1.8	Duties of the operator 8
		1.9	Duties of personnel 8
		1.10	Training of personnel 8
		1.11	Guarantee and liability 9
		1.12	Copyright 10
PAGE	11	2 General safety information for power tools	
		2.1	Occupational safety 11
		2.2	Electrical safety 12
		2.3	Safety of people 12
		2.4	Use and handling of power tools 13
		2.5	Use and handling of battery tools 14
		2.6	Service 15
PAGE	16	3 Important information about this tool	
		3.1	Handling the associated lithium ion battery 16
		3.2	Information on the associated charger 17
		3.3	Structural modifications 17
		3.4	Cleaning the device and disposal 18
PAGE	19	4 Start-up and use	
		4.1	Tool structure 20
		4.2	Operation 21
		4.2.1	Inserting and removing the battery 21
		4.2.2	Press start button 22
		4.2.3	Front LED 22
		4.2.4	LED status and sound signals 23
		4.2.5	Overload 23
		4.2.6	Shut-down mode 24
		4.2.7	Clockwise / Counterclockwise rotation switch 25
		4.2.8	Setting the tightening torque 26
		4.3	Maintenance and service 27
		4.4	Cleaning 27
		4.4.1	General information 27

PAGE	28	5 Storage	<hr/>
PAGE	29	6 Technical data	<hr/>
PAGE	32	7 Troubleshooting and Fault repair	<hr/>
PAGE	33	CE Declaration of conformity	<hr/>

1 Operating principles

Dear customers,

thank you for choosing a HS-Technik GmbH product.

This quality product „Made in Germany“ fulfils the highest requirements with regard to performance, quality and accuracy. When used correctly the product will undoubtedly perform very well for many years.

These operating instructions contain information on safety and for the operation of the tool. In addition it contains information on the dimensions and technical data. We would be happy to assist you with additional information or to answer your questions. Our technical support and our technicians would be happy to assist you.

1.1 Scope of delivery

- Battery tightening tool
- USB Cable (Type A on Mini B)
- Operating instructions

1.2 General information

Read the operating instructions before initial operation. **Please pay particular attention to Chapter 2 „General safety informations“.**

This operating instruction should make it easier for the operator to get to know the tool and to use it for its intended purpose. The operating instructions include important information related to the safe and proper operation of the tool. Compliance with these instructions helps you to:

- Avoid hazards
- Avoid repair costs and downtimes
- Increase the reliability and the lifespan of the product.

This operating instructions must be read and applied by every person who is assigned to conduct work using this tool.

In addition to these operating instructions the applicable regulations on accident prevention and environmental protection should be observed.



NOTE

After reading, keep the operating instructions in a place accessible to every operator. If you have any further questions, please feel free to contact us.

1.3 Signs and symbols used

The following signs and symbols will be used in this operating instructions or on the product:

Symbol	Explanation
	Read this operating instructions
	do not dispose with household waste
	Do not dispose the battery in a fire
	Do not throw the battery into water
	EU conformity marking
	Registered trademark

1.4 Structure of the warnings

The warnings are structured as follows:



DANGER

Indicates an immediate dangerous situation that can lead to serious or even deadly injuries and/or that could seriously damage or even destroy the tool.



WARNING

Indicates a potentially dangerous situation that can lead to serious injuries and/or damage to the tool.



NOTE

Important and useful information on using this tool.

1.5 Technical terms and abbreviations used

Abbreviation	Meaning
°C	Degrees Celsius, temperature
AC	Alternate current
Ah	Amp hours, electric charge, battery capacity
a_{hv}	Overall vibration
dB(A)	Decibels, sound pressure level (A-weighted)
DC	Direct current
Hz	Hertz, Frequency
Li-Ion	Lithium-ion, battery technology
L_{pA}	Emission sound pressure level, workplace-related
m/s^2	Acceleration, Vibration

Abbreviation	Meaning
min ⁻¹	Revolutions per minute, Speed
mNN	Meters above sea level, height
SN	Serial number
V	Volts, electrical voltage
W	Watts, electrical power
Nm	Newton meters, torque

1.6 Intended use

This battery tool was designed to prepare screw connections. The tool may only be used for this purpose as described in this operating instructions. Only materials that are suitable for this type of tool may be used.



WARNING

Intended use also includes

- following all indications of the operating instructions and
- observance of inspection and maintenance works.

Any other use or use beyond that is considered improper use. HS-Technik GmbH is not liable for any damage resulting from this.

1.7 Improper use



DANGER

The use of this tool for other purposes, e.g. for hammering, is not permitted. Improper use or incorrect accessories can lead to dangers with unforeseeable consequences.

We accept no liability for damage and malfunctions resulting from non-observance of these operating instructions and improper use.

1.8 Duties of the operator

The operator undertakes to only allow people who are familiar with the basic regulations on work safety and accident prevention and who have been trained on how to use the tool at the workplace and to work with this tool.

The safety awareness of the personnel while working has to be reviewed at regular intervals.

In addition it is necessary to define safety measures for operator protection which are based upon an estimation of the vibration load during actual conditions of use.

1.9 Duties of personnel

Prior to its use all people who work with this tool are obligated to inform themselves of the applicable workplace safety and accident prevention regulations for this power tool and to observe them.

It is recommended that every operator wears hearing protection.

1.10 Training of personnel

Only trained and instructed personnel should work with this tool. The responsibilities of the personnel must be clearly defined. Trainees may only work with this power tool under the supervision of an experienced person.

1.11 Guarantee and liability

Guarantee and liability claims for personal injury and property damage are excluded, if caused by one or more of the following:

- improper use
- failure to observe these operating instructions
- improper installation, commissioning, operation and maintenance of the device
- Operating the device with defective safety devices or improperly installed or non-functioning safety and protective devices
- Failure to observe the information in the operating instructions regarding transport, storage, assembly, commissioning, operation and maintenance of the device
- unauthorised structural modifications to the device
- improperly performed repairs
- catastrophes due to external influences and acts of God

1.12 Copyright

These operating instructions are intended solely for the operator and its personnel.

They contain guidelines and information which may not be fully or partially

- reproduced
- distributed or
- otherwise shared.

The copyright of these operating instructions is retained by HS-Technik GmbH.

Manufacturer's address:

HS-Technik GmbH
High - System - Technik

Im Martelacker 12
D-79588 Efringen-Kirchen

Telephone: +49 (0)7628 - 91 11-0
Fax: +49 (0)7628 - 91 11-90
E-mail: info@hs-technik.com
Internet: www.hs-technik.com

2 General safety information for power tools



DANGER

Read all the safety information, instructions, illustrations and technical data which is provided with this power tool. Failure to follow the instructions below may result in electric shock, fire and/or serious injury.



WARNING

This power tool was manufactured in accordance with current state-of-the-art technology and recognised technological safety guidelines. However, its use may jeopardise the health and life of the user or third parties or risk damage to other property.



WARNING

The workplace must only be used in accordance with its intended use and in technically perfect condition.



NOTE

Keep all safety information and instructions for the future.



NOTE

Only have your device repaired by qualified professional staff and only with original replacement parts which are available at HS Technik GmbH. This ensures that the safety of the device is maintained.

The term „power tool“ used in the safety information refers to mains-operated power tools (with mains cable) and to battery-operated power tools (without mains cable).

2.1 Occupational safety

- a) **Keep your work area clean and well-lit.** Cluttered or dark work areas can lead to accidents.
- b) **Do not work with the power tool in an explosive environment in which there are flammable liquids, gases or dust.** Power tools generate sparks that can ignite the dust or fumes.

- c) **Keep children and other people away while using the power tool.** You can lose control of the power tool if you are distracted.

2.2 Electrical safety

- a) **Avoid body contact with grounded surfaces such as pipes, heaters, stoves and refrigerators.** There is an increased risk of electric shock if your body is grounded.
- b) **Keep power tools away from rain or moisture.** Penetration of water into a power tool increases the risk of electric shock.
- c) **Do not misuse the connection cable in order to carry or hang up the charger or to pull the plug out of the socket. Keep the connection cable away from heat, oil, sharp edges or moving parts.** Damaged or tangled connection cables increase the risk of electric shock.
- d) **If operating the charger in a damp environment cannot be avoided, use a fault-current circuit breaker.** The use of a residual-current circuit breaker reduces the risk of electric shock.
- e) **Check the electrical equipment regularly. Immediately remove loose connections and scorched cables.** Loose connections or scorched cables can lead to electric shock and risk of fire.

2.3 Safety of people

- a) **Be alert, pay attention to what you are doing and take care when you are working with a power tool. Do not use a power tool when you are tired or under the influence of drugs, alcohol or medication.** A moment of inattention while using the power tool can result in serious injury.
- b) **Wear personal protective equipment and always safety glasses.** Wearing personal protective equipment such as a dust mask, non-slip safety shoes, safety helmet or hearing protection, depending on the type and use of the power tool, lowers the risk of injury.

- c) **Prevent accidental starting. Ensure that the power tool is switched off before you connect it to the power supply and/or the battery, pick it up or carry it.** Accidents can occur if you have your finger on the switch while carrying the power tool or if you connect the power tool to the power supply when it is switched on.
- d) **Avoid abnormal postures. Make sure you have a secure footing and keep your balance at all times.** This gives you better control of the power tool in unexpected situations.
- e) **Wear suitable clothing. Do not wear loose clothing or jewellery. Keep hair and clothing away from moving parts.** Loose clothing, jewellery or long hair can get caught in moving parts.
- f) **Do not lull yourself into a false sense of security and do not disregard the safety rules for power tools, even if you are familiar with the power tool after repeated use.** Careless action can lead to serious injuries within a split second.
- g) **Actively avoid accidentally switching on the power tool. If the tool is to be in idle mode for a long time, remove the battery beforehand.** This prevents unintentional start-up.

2.4 Use and handling of power tools

- a) **Do not overload the power tool. Use the power tool specific for the work you are doing.** With the appropriate power tool you will work better and more safely in the power range indicated.
- b) **Do not use any power tool which has a defective switch.** A power tool which can no longer be switched on or off is dangerous and must be repaired.
- c) **Remove the detachable battery before you make changes to device settings, change application tool parts or put away the power tool.** This precaution prevents unintentional start up of the power tool.
- d) **Keep unused power tools out of the reach of children. Do not let anyone use the power tool who is not familiar with it or has not read this operating instructions.** Power tools are dangerous when used by inexperienced people.
- e) **Maintain power tools and the application tool with care. Check whether moving parts function properly and do not jam, whether parts are broken or damaged in such a way that the function of the power tool is affected. Have damaged parts repaired before using the power tool.** Many accidents are caused by poorly serviced power tools.

- f) **Keep the tool sharp and clean.** Carefully maintained tools jam less often and are easier to manage.
- g) **Use power tools, application tools, etc. in accordance with these instructions. While doing so observe the work conditions and the activities to be performed.** The use of power tools for anything other than the intended application can lead to dangerous situations.
- h) **Keep handles and gripping surfaces dry, clean and free of oil and grease.** Slippery handles and gripping surfaces do not allow safe operation and control of the power tool in unforeseen situations.
- i) **Use the correct power tool.** Do not use under-performing tools for heavy loads. Do not use tools for purposes and work for which they are not intended.
- j) **Check your device for damage.** Before continued use of the tool safety equipment must be tested for proper and intended function. Check whether the function of moving parts is okay, whether they do not jam, whether any parts are broken, whether all other parts function properly and whether all conditions which must be met for the proper operation of the device have been met. Damaged protective devices and parts should be properly repaired or replaced by trained customer service unless otherwise specified in this operating instructions. Damaged switches must be replaced by a customer service workshop. Do not use any tools which cannot be properly switched on and off using the start button.

2.5 Use and handling of battery tools

- a) **Charge the battery only with charging devices which are recommended by the manufacturer.** There is a risk of fire if the battery is used on an unsuitable charger and the battery can be permanently damaged.
- b) **Use only the specifically designated battery for the power tool.** The use of other batteries can lead to injuries and the risk of fire.
- c) **Keep the unused battery away from paper clips, coins, keys, nails, screws or other small metal parts which could cause a bypass of the contacts. Do not open the battery and do not short circuit it.** A short circuit between the battery contacts can lead to burns or fire.

- d) **Fluid can leak out of the battery in the event of incorrect use. Avoid contact with it. In the event of accidental contact with skin rinse with water. If the fluid comes into contact with the eye seek medical help.** Leaking battery fluid can lead to skin irritations or burns.
- e) **Do not use damaged or altered batteries.** Damaged or altered batteries can behave unpredictably and can lead to fire, explosion or injury.
- f) **Do not expose a battery to fire or high temperatures.** Fire or temperatures above 130°C can cause an explosion.
- g) **Follow all instructions for charging and never charge the battery or the battery tool outside of the temperature range specified in the operating instructions.** Incorrect charging or charging outside of the approved temperature range can damage the battery and increase the risk of fire.

2.6 Service

- a) **Only have your power tool repaired by qualified professional staff and only with original replacement parts which can be available at HS Technik GmbH.** This ensures that the safety of the power tool is maintained.
- b) **Never perform maintenance on damaged batteries.** All maintenance of batteries may only be completed by the manufacturer or authorised customer service locations.

3 Important information about this tool

3.1 Handling the associated lithium ion battery

- a) **Observe the operating instructions of the Li-Ion battery.**
- b) **If the battery will not be used over a longer period of time it may not remain on the charger or on the machine.** If an interruption of work of more than 3 hours is expected the battery must be removed from the tool. Otherwise it cannot be ruled out that the battery will be permanently damaged.
- c) **For safety reasons the Li-Ion battery should not remain on the activated charger for longer than 36 hours.** Remove the battery from the charger as soon as possible after charging is complete.
- d) **An empty battery should not be in contact with the machine or a charger disconnected from the mains for a longer period of time.** In both instances low currents flow which totally discharge the battery and can permanently damage it.
- e) **Always charge the Li-Ion battery as soon as possible after use and do not store it when empty.** If the battery is stored separately from the tool and the charger it's capacity will remain constant for a long period of time (loss approx. 5% per year).
- f) **Always transport the battery separately from the machine if possible.** This prevents accidental switching on of the machine as well as a total discharge of the battery.
- g) **Do not subject the Lithium-Ion battery to high temperatures (above 50°C) or direct sunlight.** If the battery gets warmer than 50°C during operation (charging or discharging) it must be immediately separated from the charger or the tool.
- h) **Under extreme use or temperature conditions batteries may leak. In the event of a leaky battery avoid contact with the skin or eyes.** The battery fluid is corrosive and can cause chemical burns to tissue. If the fluid comes into contact with the skin it must be washed immediately with soap and water and then rinsed with lemon juice or vinegar. If the fluid comes into contact with the eyes they must be rinsed for at least 10 minutes with water and a doctor must be consulted immediately.
- i) **Ensure that the Li-Ion battery does not fall or is not subjected to vibrations or shocks.**
- j) **Clean the battery contacts regularly with a cotton swab dipped in high-proof alcohol.**



NOTE

Lithium-Ion batteries have almost no self-discharge and have no memory effect. With proper and professional handling your tool will be reliably supplied with high energy density for a long period of time.

3.2 Information on the associated charger

- a) Observe the operating instructions of the charger.
- b) The charger may not be connected to a step-up converter, generator or a direct current outlet.
- c) Ensure that the ventilation slots on the charger are not covered or blocked.
- d) Never charge the battery inside a box or a closed container. The battery may only be charged in a well ventilated location.
- e) Do not charge the battery at temperatures BELOW 10°C or ABOVE 40°C.
- f) Do not store the power tool, the charger and the battery in locations in which temperatures are above 50°C. In particular, avoid direct sunlight.

3.3 Structural modifications

No changes, additions or conversions to the power tool may be made without the approval of the manufacturer.

All conversion measures require written permission and confirmation by **HS-Technik GmbH**.



WARNING

In the event of the replacement of wear and tear parts only original replacement parts may be used.

3.4 Cleaning the device and disposal

Substances and materials used must be handled and disposed of properly, particularly when cleaning with solvents.

Do not throw the used battery into the household waste, fire or water, instead have it professional disposed of by a specialist or the manufacturer.



4 Start-up and use

DANGER

Risk of injury from damaged tools

Damaged tools can lead to injuries or damages.

- All damaged parts must be repaired before use.

Risk of injury from falling tools

Falling tools can lead to injuries or damages.

- Ensure you are self-belayed and have a secure footing.
- Avoid dropping the tool.



Risk of burns due to hot exhaust air

Hot air can escape through exhaust openings.

- Do not place any sensitive body parts directly in front of exhaust openings.

Risk of injury due to improper use

Improper use can lead to injuries or damage.

- Use the tool only for the intended purposes.

Risk of injury from substances

Substances such as lubricating oil and grease are flammable on the skin.

- Avoid contact with such substances.
- Should you still come into contact wash the affected area carefully.



NOTE

Maintain your tool with care. Follow the operating instructions during maintenance and cleaning. Keep the handle free of lubricants and dirt.



NOTE

Do not drop the tool, and do not let any other objects fall onto the tool. Protect it from impacts.

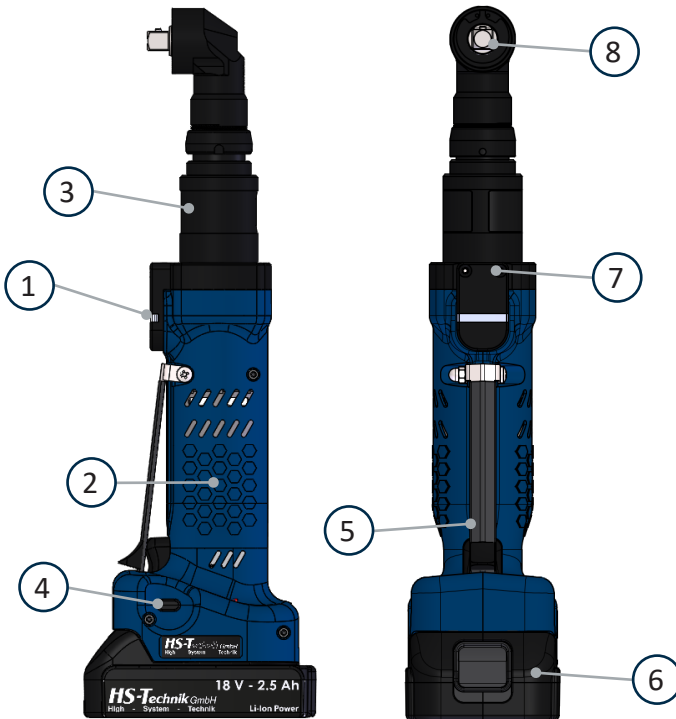


NOTE

Ensure that the tool does not come into contact with splashing water or oil.

4.1 Tool structure

1. Multi-colour LED
2. Brushless motor
3. Clutch entry
4. Clockwise/counter clockwise direction
5. Start trigger
6. 18 V Li-ion battery
7. LED for work area lighting
8. Angle head



4.2 Operation

4.2.1 Inserting and removing the battery

- In order to insert the battery (1), align it so that it can be easily pushed onto the mounting provided along the plastic guide. After sliding it on completely, the fastening clip (2) must lock the battery firmly and properly into place in the tool housing.
- In order to remove the battery push the fastening clip on the front side of the battery down and pull the battery forward and off.
- Don't use force to install the battery. If the battery can not be easily pushed on it was not correctly positioned.



NOTE

Always push the battery all the way in until it locks into place with a click.



WARNING

Risk of injury from falling battery

If the battery is not correctly locked it can fall out and cause injuries.

- Always ensure that the battery is fully locked into place.



1 - Battery

2 - Fastening clip

4.2.2 Press start button

Pressing or releasing the start button starts or stops the tool.



NOTE

The tool only starts when the battery has sufficient capacity.

4.2.3 Front LED



WARNING

Risk of injury from the light emitting diode

Looking directly into the light emitting diode can lead to eye injuries.





- Never look directly into the light emitting diode.

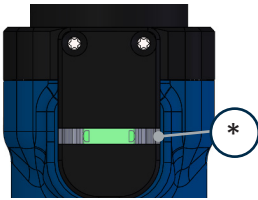
The LED on the front of the tool is used to illuminate the assembly area. After pressing the start key, the LED switches on. It turns off automatically after a few seconds.



* - Front LED

4.2.4 LED status and sound signals

Led indication	Description	State	Action
	Illumination LED lights up briefly, Multicolor LED briefly lights up red and green	Function test after sliding on the battery and activating the start switch.	
	Signal LED blinking orange	Battery almost empty, you may continue working.	Change or charge the battery.
	Signal LED steady orange	Battery empty, you may not continue working.	Change or charge the battery.
	Signal LED steady red	Fault: The device has a defect.	Please contact the supplier.



* - Multiple control light

4.2.5 Overload

In order to avoid damages as a result of excess temperatures during continuous operation it is important to observe sufficient break times during the installation process.

Continued work is only possible after a cooling off period in order to protect the tool from lasting damage.

4.2.6 Shut-down mode

After approx. 30 minutes (time adjustable) without actuation → automatic shut-down
Start-up by pressing the start button if the battery has not yet been removed or right after sliding the battery back on. Both are only possible if the battery has sufficient charge capacity



NOTE

In the case of longer period of non-use (longer than 3 hours) the battery must be separated from the tool in order to prevent deep discharge of the battery.

tool no.: 20310030 read write

tool: setup:

general

tool shut off after: 1800 [s] = 00:30:00 [hh:mm:ss]

rpmmax: 80 [%] potentiometer

from backup administrator US

4.2.7 Clockwise / Counterclockwise rotation switch





WARNING

Risk of injury as a result of accidental actuation of the start switch

When installing the battery the start switch can accidentally be actuated.

- Ensure that the direction of rotation switch is in the „neutral“ position

- The tool has a slide switch to change the direction of rotation. Only use the slide switch after the tool has come to a complete stop. Changing the direction of rotation during operation will damage the device.
- Always put the slide switch in the neutral position when you are not using the tool.
- In order to change the direction or set it, press the direction of the slide switch out to the left for counter clockwise direction  or out to the right for clockwise direction .

When the direction of slide switch is in the centre position the start button can not be actuated.



* - Rotation switch

4.2.8 Setting the tightening torque

The tightening torque is set using a mechanical shut-off clutch.

- To adjust the clutch, the clutch cover must first be rotated to the open position.
- When the clutch is visible bring the clutch into the setting position, e.g. by turning the output or quickly starting up the tool.
- The clutch can now be set using a setting tool.
Counter clockwise: weaker
Clockwise: stronger
- After adjustment, slide the cover back over the clutch opening.
- Now the torque must be determined using a suitable torque gauge. If the desired value was not reached the clutch must be readjusted.



Rotate the cover



Clutch adjustment



DANGER



Risk of injury from protruding objects.

Objects which are placed in the opening can be ejected during operation.

- The clutch must have to be closed prior to operation.
- Ensure that there are not objects in the opening.

4.3 Maintenance and service

Apart from the regular cleaning and inspection for visible damage the device is largely maintenance-free.

WARNING



Risk of injury as a result of improper handling!

Repair, maintenance and care of tools must be carried out professionally. After the work, no risk for the operator should exist during proper use. The operator is only allowed to do the work described here.

4.4 Cleaning



NOTE

Observe the following information for cleaning your tool. Incorrect cleaning supplies or improper procedures when cleaning can lead to damage to the tool.

4.4.1 General information

Do not use any degreasing or corrosive cleaning supplies and no water. Do not spray any cleaning supplies, solvents or easily flammable materials into the openings of the housing! Clean the battery contacts and the battery connection on the tool with a cloth, cotton swab and a little alcohol when necessary.



5 Storage

Observe the following information when storing tools, batteries and chargers:

- Remove the battery when you are not using the tool.
- If you will not be using the battery for a longer period of time it should be stored, fully charged, in a dry, dust-proof area.
- Store the tool and charger in a dry environment protected against splashing water.
- Store the tool and charger in a well ventilated space and protected against exposure to dust.
- Ensure that the storage environment is free of aggressive chemicals and vapours.

6 Technical data

Description	TBASL-5-2	TBASL-10-2	TBASL-20-3
Operating voltage		18 VDC	
Torque	2.0 - 5.0 Nm	1.5 - 9.0 Nm	5.0 - 20.0 Nm
Max. rotational speed		500 rpm	
Tool holder	1/4" square	1/4" square	3/8" square
Noise emissions (L_{pA})		< 70 dB(A)	
Measurement uncertainty (K)		3 dB(A)	
Vibration (a_{hv})		< 2.5 m/s ²	
Measurement uncertainty (K)		1.5 m/s ²	
Operating altitude		< 2000 mNN	
Operating temperature		10 - 40 °C	
Storage temperature		0 - 50 °C	
Dimensions (L × W × H)	75 × 115 × 347 mm	75 × 115 × 347 mm	75 × 115 × 358 mm
Weight without battery		approx. 1.3 kg	
Weight with battery 2.5 Ah		approx. 1.6 kg	
Weight with battery 5.0 Ah		approx. 1.9 kg	
HST-PR-1825 battery		Li-Ion, 18 V, 2.5 Ah	
HST-PR-1850 battery		Li-Ion, 18 V, 5.0 Ah	
HST-PR-2830 charger		220 - 240 VAC, 50 - 60 Hz, 65 W	

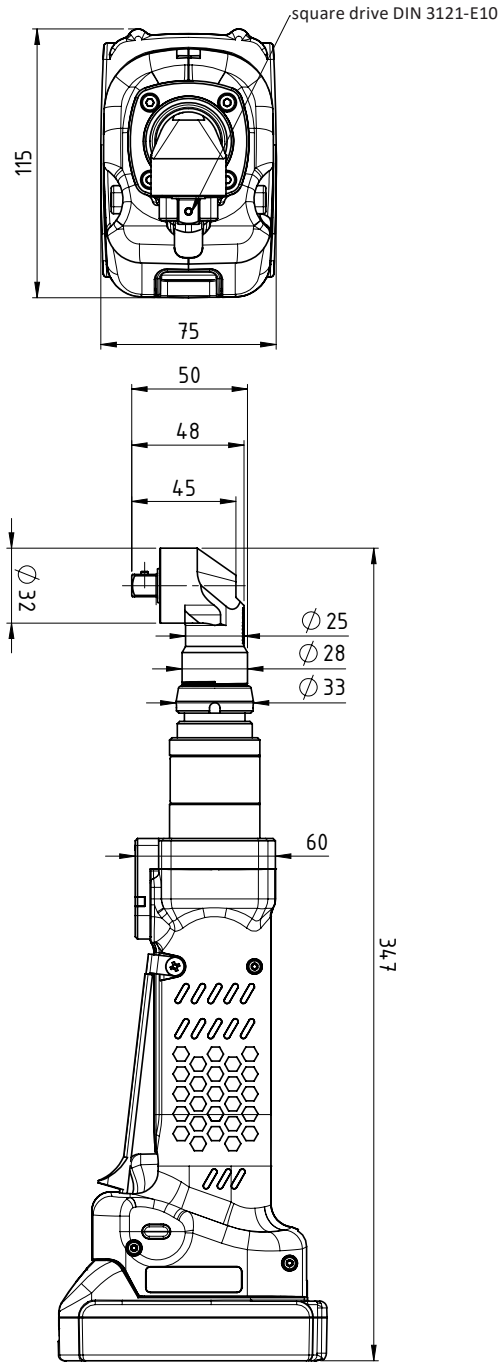
The values given for noise emissions and vibration were measured using a standardised test method and can be used for comparison with other power tools. They can also be used for a preliminary estimate of the load.



NOTE

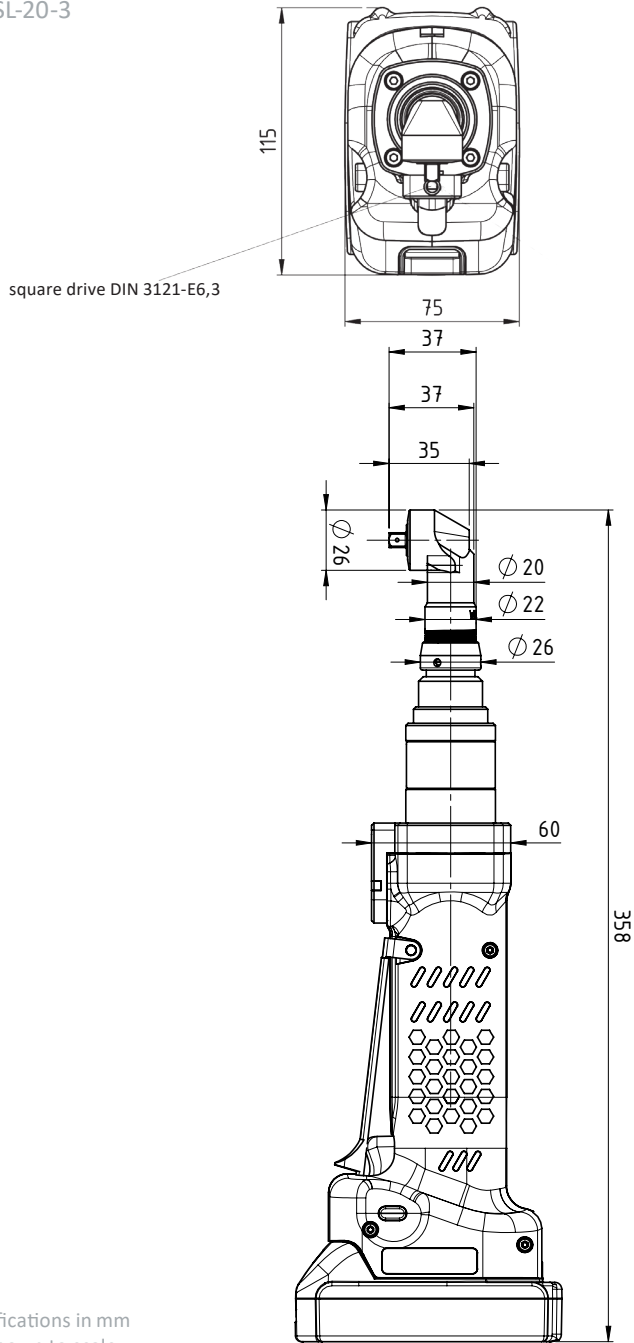
The actual emissions can differ from the above information depending on the type and manner of use of the tool and, in particular, depending on the type of work-piece.

TBASL-5-2
TBASL-10-2



Specifications in mm
Not shown to scale

TBASL-20-3



Specifications in mm
Not shown to scale

7 Troubleshooting and Fault repair

The TorqBee® by HS-Technik is a very stable and long-lasting tool.

Please contact HS-Technik GmbH if unknown errors occur.

Repairs:

Telephone: +49 (0)7628 / 91 11-0

E-mail: repaircenter@hs-technik.com

Programming:

Telephone: +49 (0)7628 / 91 11-0

E-mail: support@hs-technik.com

Please note the following information:

- Serial number of the tool (see battery compartment of the device)
- What error has occurred?
- When did the error first appear?
- What have you done to fix the error?

We reserve the right to make errors, technical changes to our products and changes to the delivery program in the course of further development.

CE Declaration of conformity

We, the manufacturer, hereby declare that the named tool complies with the essential protection requirements of the listed EU directives regarding design and construction type.

The prerequisite for this is the intended use of the tool as well as compliance with the installation and commissioning instructions.

If the product or its accessories are modified without our permission, this declaration becomes invalid.

Tool description: Battery shut-off screwdriver

Type designation: TBASL-x...

Manufacturer: HS-Technik GmbH
Im Martelacker 12
D-79588 Efringen-Kirchen

Directives: 2006/42/EU
2014/30/EU

Applied standards: DIN EN ISO 12100 2011-03
EN 62841-1:2015+AC:2015, EN 62841-2-2:2014
EN 61000-6-3:2007+A1:2011+AC:2012, EN 61000-6-2:2005+ AC:2005
EN 55014-1:2006+A1:2009+A2:2011, EN 55014-2:1997+ AC:1997+A1:2001+A2:2008

HS-Technik GmbH
Im Martelacker 12, D-79588 Efringen-Kirchen

February 2021



Florian Hanke
CEO

HS-Technik GmbH
High - System - Technik

Notes

A series of horizontal dotted lines for writing notes, spanning the width of the page.

Notes

A series of horizontal dotted lines for writing notes.

HS-Technik GmbH
High - System - Technik

HS-Technik GmbH
Im Martelacker 12
D-79588 Efringen-Kirchen

Telephone: +49 (0)7628 - 91 11-0
Fax: +49 (0)7628 - 91 11-90
E-mail: info@hs-technik.com
Internet: www.hs-technik.com