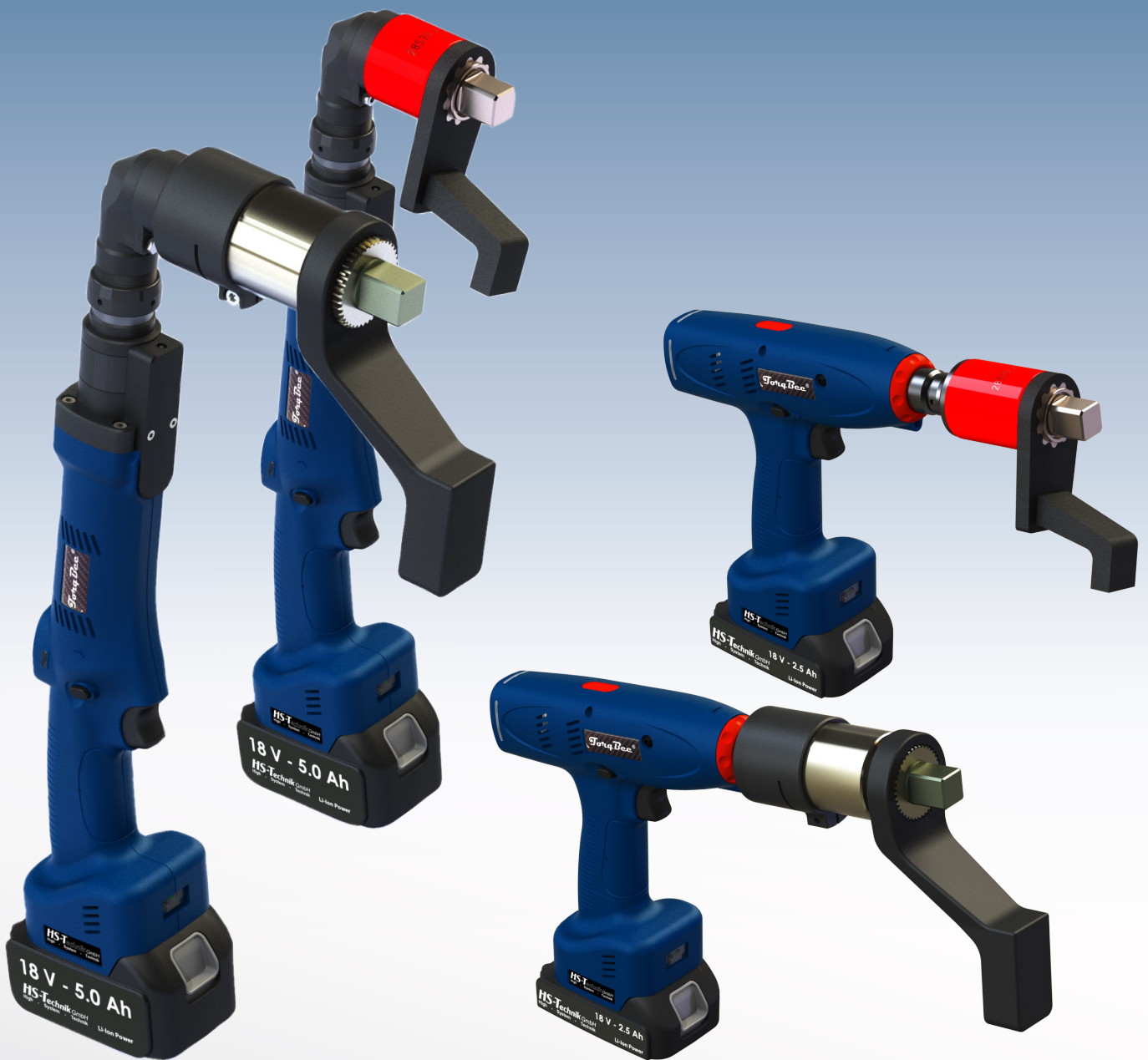


# TorqBee HT-Series

Tools with torque and angle transducer



Premium Power Tools



MADE IN GERMANY



**HS-Technik** GmbH  
High - System - Technik

### 8 **TorqBee® HT - ECO**

Type designation:: TBxECO-xxx

#### **Programmable Battery-DC-Tool**

Torque Reaction Sensor

Optional:

Barcode reader & Wi-Fi

- 
- Programmable via USB with HST-Tool-Manager
  - Programmable parameters:
    - Torque
    - Current
    - Angle
    - RPM
    - Time
  - Multi-step programming (6 steps)
  - Handle vibration alarm
  - Multi-colored status LED
  - Intelligent battery management
  - Display of the tightening results
  - OLED display
  - Screw counter
  - Recovery (counter memory function)
  - 100 individual programs
  - Min. 150,000 results incl. tightening curves are saved in the tool
  - Documentation of the date and time of each tightening connection
- 

### 11 **TorqBee® HT - EC**

Type designation:: TBxEC-xxx

#### **Programmable Battery-DC-Tool**

Rotating Torque Transducer and Angle Encoder

Optional:

Barcode reader & Wi-Fi

- 
- Programmable via USB with HST-Tool-Manager
  - Programmable parameters:
    - Torque
    - Current
    - Angle (encoder)
    - RPM
    - Time
  - Multi-step programming (6 steps)
  - Handle vibration alarm
  - Multi-colored status LED
  - Intelligent battery management
  - Display of the tightening results
  - OLED display
  - Screw counter
  - Recovery (counter memory function)
  - 100 individual programs
  - Min. 150,000 results incl. tightening curves are saved in the tool
  - The highest sensor precision on the market, torque transducer: < 1 % full scale  
angle resolution: 0.1 °
  - Documentation of the date and time of each tightening connection
-

# TotqBee® HT-Series

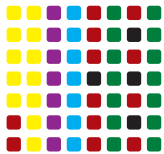
## Features

---



### OLED Display

Visualization of tightening results and tool status.



### Multicolor LED control light

Individually programmable!



### Intelligent battery management

Battery level indicator and effective protection against the Li-Ion battery deep discharging.



### Software HST-Tool-Manager

Intuitive and quick programming of HS-Technik power tools.



### Handle vibration alarm

NOK status



### Job / Sequence

Allows for sequences to be processed without additional controller.



### Optional barcode reader integrated into the tool

Barcodes with up to 64 characters can be read and processed.



### Optional Wi-Fi for data transmission

Connection to HST Controller.



03 / 05

### Recovery (counter memory function)

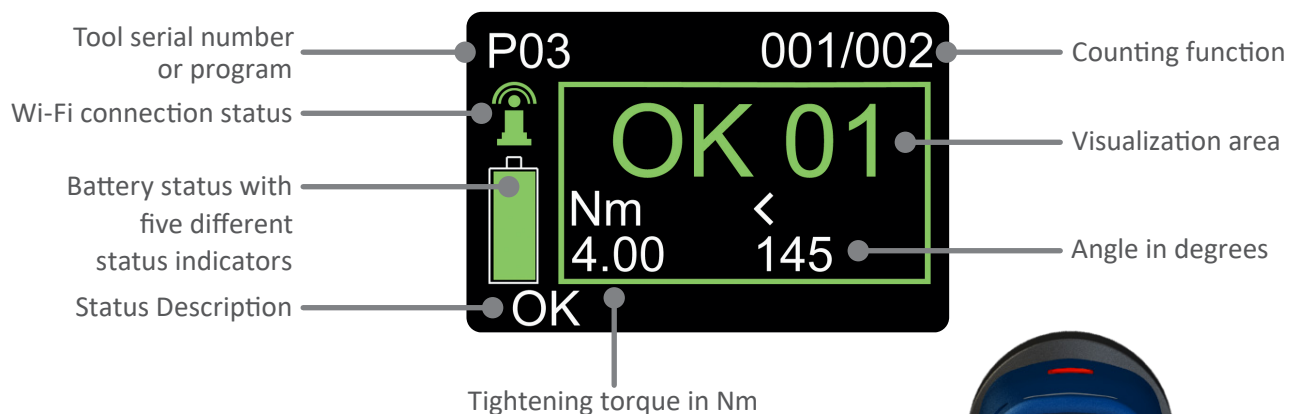
Status memory for the screw counter when changing the battery.

# TorqBee® HT-Series

## Overview

TorqBee® Features	HT-ECO	HT-EC
Multicolor LED control light	•	•
Intelligent battery management	•	•
HST-Tool-Manager programming software	•	•
Handle vibration alarm	•	•
OLED display	•	•
Counting function for screws	•	•
Job / Sequence	•	•
Optional barcode reader	•	•
Optional Wi-Fi	•	•
Rotating torque transducer and angle encoder		•
Torque reaction sensor	•	
Further information	<a href="#">Page 8</a>	<a href="#">Page 11</a>

## OLED-Display

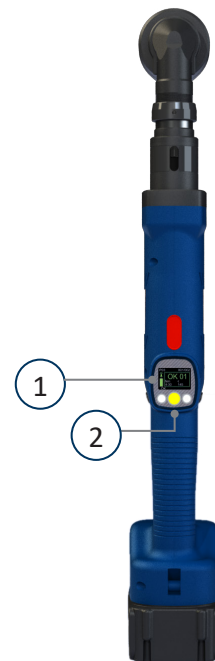
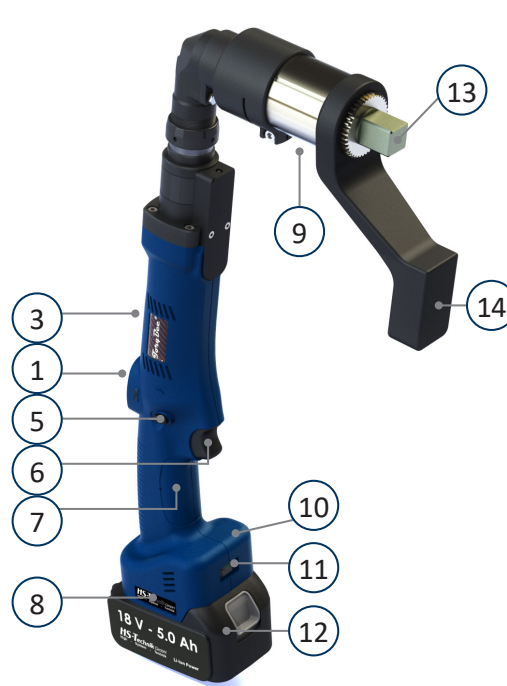
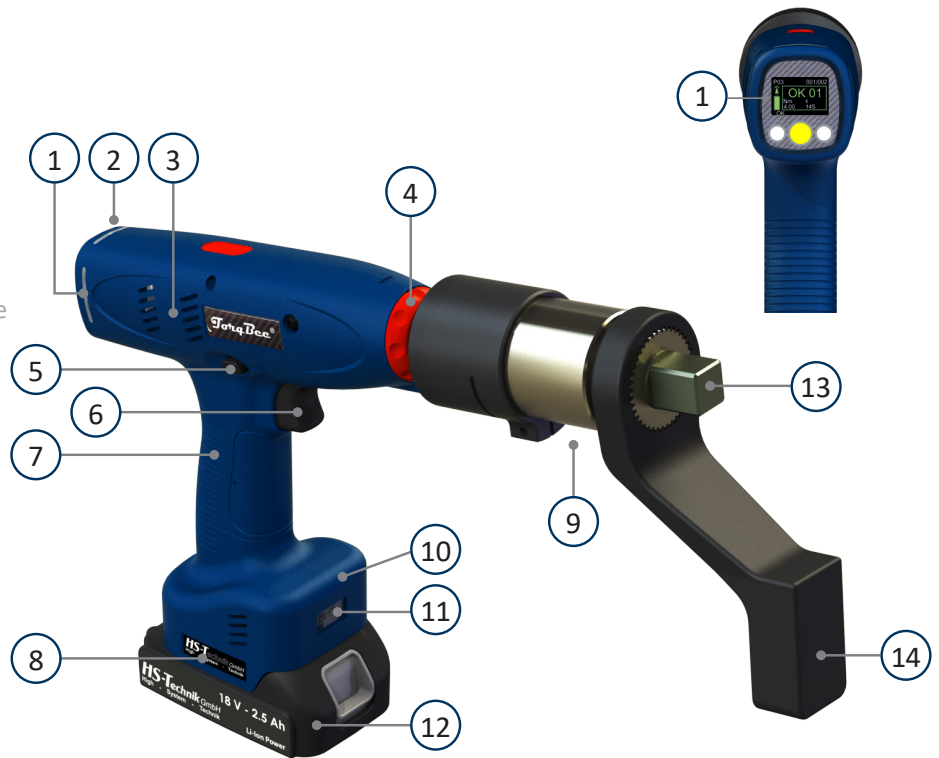


The display on the TorqBee® was developed so the operator is intuitively guided through the process steps and can view the quality of the screw connection at any time.

# TorqBee® HT-Series with Norbar Multiplier

## Overview

- 1 **OLED display to guide operator**
- 2 **Multi-colored LED indicator**  
Tool status information for operator.  
LED visible from all angles.
- 3 **Brushless motor**  
for a higher idle speed and faster, powerful working capacity, maintenance-free
- 4 **Color index**  
easy machine and area of application torque assignment
- 5 **Clockwise/counterclockwise rotation**  
perfect operation thanks to push trigger
- 6 **Large start trigger**  
ergonomic form
- 7 **Ergonomic handle**  
to better guide the tool  
incl. handle vibration alarm
- 8 **USB port**  
Can be programmed for your specific application
- 9 **High precision torque multiplier**
- 10 **Optional Wi-Fi**  
Wi-Fi 2.4 & 5 GHz
- 11 **Optional barcode reader**
- 12 **Premium Li-Ion battery**  
18 Volt, 2.5 Ah / 5.0 Ah
- 13 **3/4" square drive**
- 14 **Torque reaction arm\***

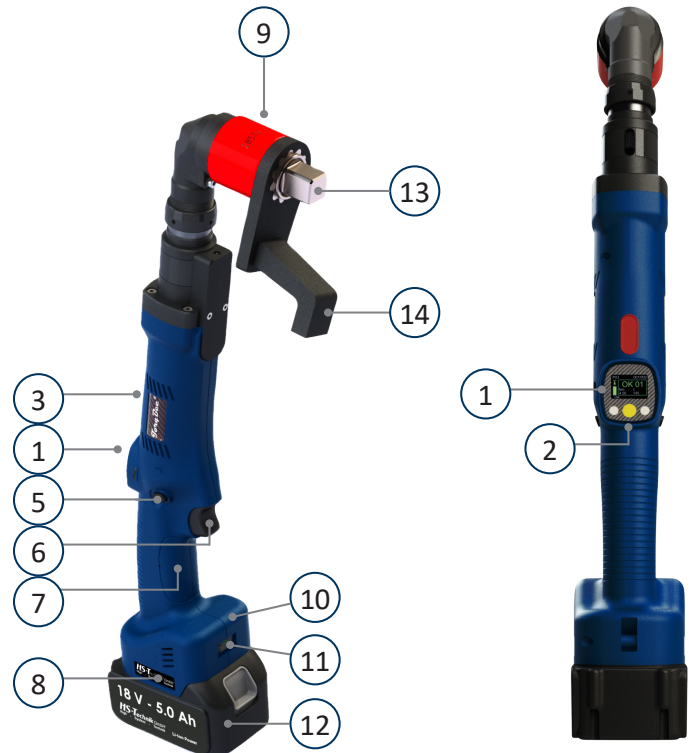
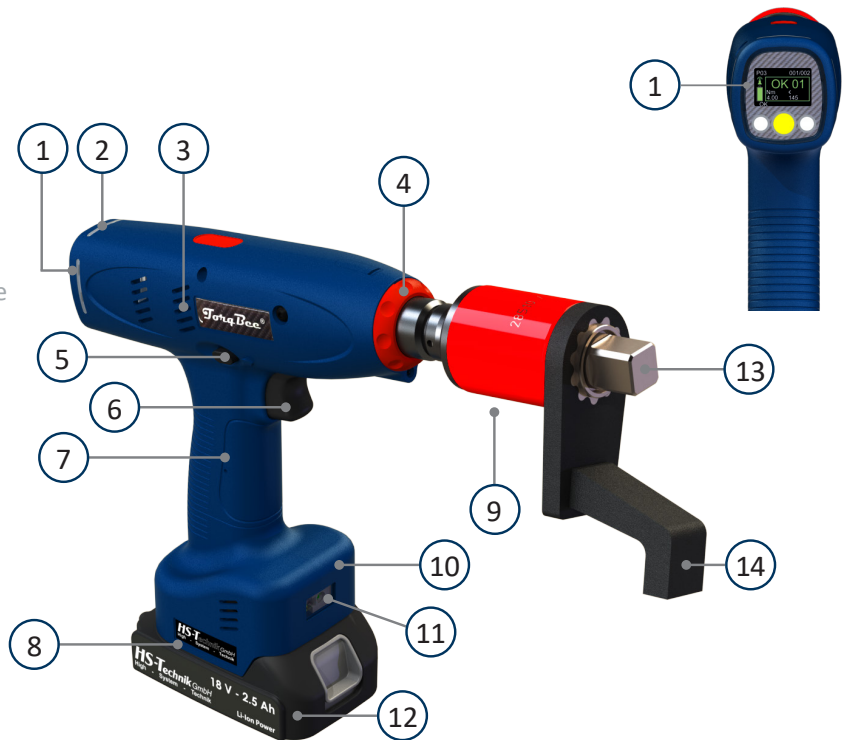


\*Torque reaction arm incl. with Norbar, not included with RAD

# TotqBee® HT-Series with RAD Multiplier

## Overview

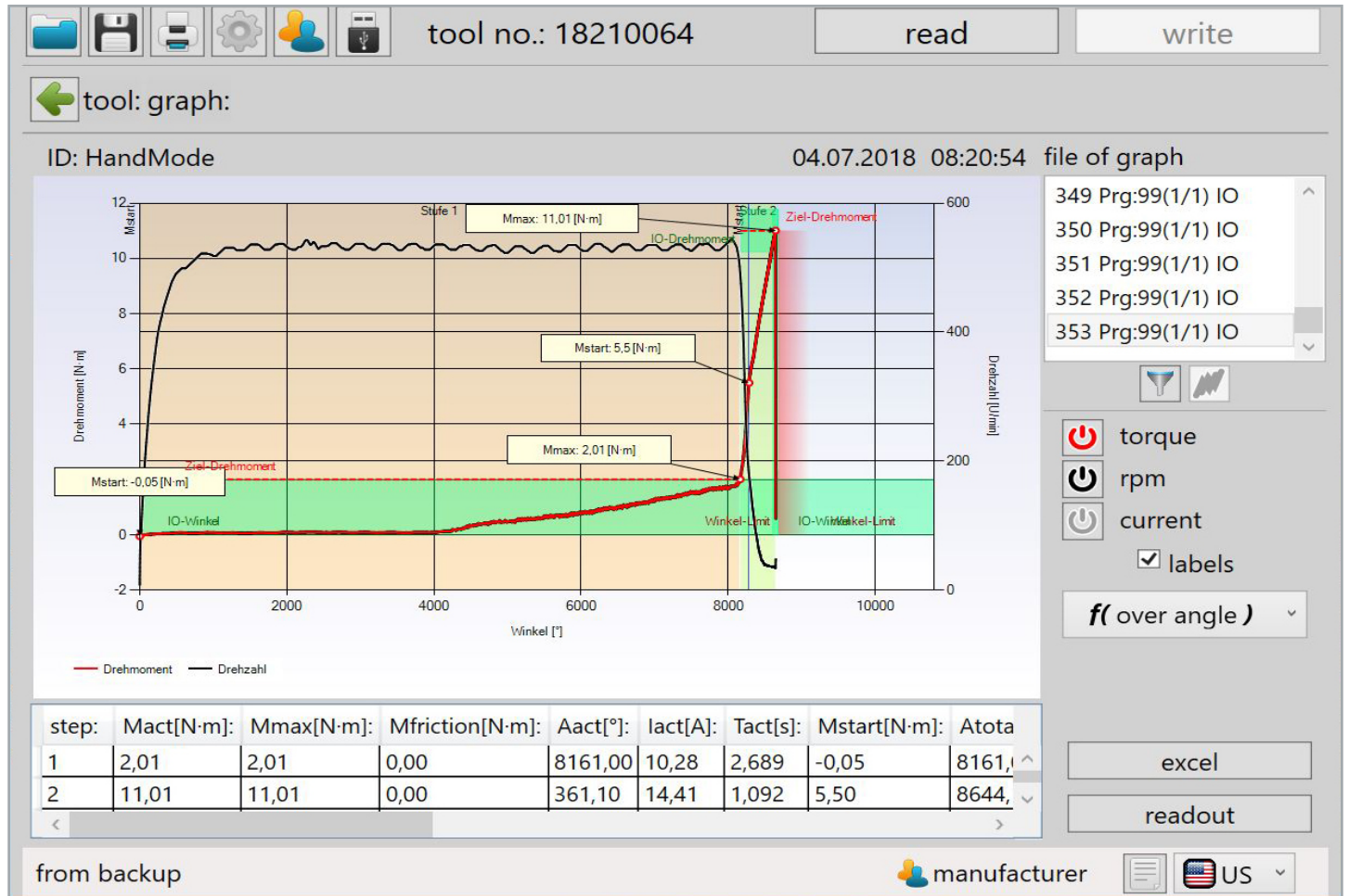
- 1 **OLED display to guide operator**
- 2 **Multi-colored LED indicator**  
Tool status information for operator.  
LED visible from all angles.
- 3 **Brushless motor**  
for a higher idle speed and faster, powerful working capacity, maintenance-free
- 4 **Color index**  
easy machine and area of application torque assignment
- 5 **Clockwise/counterclockwise rotation**  
perfect operation thanks to push trigger
- 6 **Large start trigger**  
ergonomic form
- 7 **Ergonomic handle**  
to better guide the tool  
incl. handle vibration alarm
- 8 **USB port**  
Can be programmed for your specific application
- 9 **High precision torque multiplier**
- 10 **Optional Wi-Fi**  
Wi-Fi 2.4 & 5 GHz
- 11 **Optional barcode reader**
- 12 **Premium Li-Ion battery**  
18 Volt, 2.5 Ah / 5.0 Ah
- 13 **3/4" square drive**
- 14 **Torque reaction arm\***



\*Torque reaction arm incl. with Norbar, not included with RAD

Tools from the EC series are excellently suited for joint analysis.

The torque / angle curve is recorded directly in the tool, without additional hardware and can be exported to Microsoft® Excel for additional analysis and reports.



# TotqBee® HT-ECO-Series

Programmable Tool with torque transducer

- **Torque transducer**
- **Torque accuracy**  
≤ +/- 7 % Cm > 2,00 | Cmk > 1,67
- **6-step programmability**
  - Torque
  - Current
  - Angle
  - Speed
  - Time
- **Handle vibration alarm**
- **Multi-colored LED indicator, visible from all angles**
- **Intelligent battery management**
- **Brushless, high-power motor**
- **Display of the tightening results**
- **Brake energy recovery extends the battery life**
- **Maximum ergonomics**
- **Updates can be installed via USB**
- **OLED display**
- **Screw counter**
- **Counter memory function**
- **100 individual programs**
- **Min. 150,000 tightening results incl. torque and angle curve are stored in the tool**
- **OK/NOK evaluation of the shut-off result**
- **All common tightening strategies can be programmed**
- **Optional: Barcode reader & Wi-Fi**

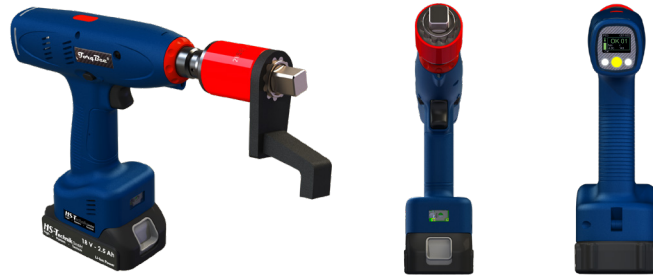
For further information on the programming software, please visit our website.



Torque transducer for the highest level of precision.  
Suitable for class A, B & C joints.

# TotqBee® HT-ECO-Series

Programmable Tool with torque transducer



Pistol Tool	Torque	Speed	Multiplier	Tool adapter	Dimensions L × B × H	Weight
<b>TBPECO-150*</b>	50 - 150 Nm	4.0 - 40.0 U/min	RAD	3/4" - square	312 × 72 × 211 mm	1.80 kg
<b>TBPECO-300*</b>	90 - 300 Nm	2.0 - 20.0 U/min	RAD	3/4" - square	312 × 72 × 211 mm	1.80 kg
<b>TBPECO-525*</b>	165 - 525 Nm	1.0 - 10.0 U/min	RAD	3/4" - square	326 × 72 × 211 mm	2.20 kg
<b>TBPECO-645*</b>	200 - 645 Nm	0.7 - 7.0 U/min	RAD	3/4" - square	365 × 72 × 250 mm	3.20 kg
<b>TBPECO-1250*</b>	400 - 1250 Nm	0.4 - 4.0 U/min	RAD	3/4" - square	365 × 72 × 250 mm	3.20 kg

\*  
W = Wi-Fi option  
B = Barcode reader option  
WB = Wi-Fi & barcode reader option

The tools must be used with suitable torque reaction arm only!  
Torque reaction arm not included in scope of delivery, find reaction arms on page 14.  
Dimensions and weight indications without battery.



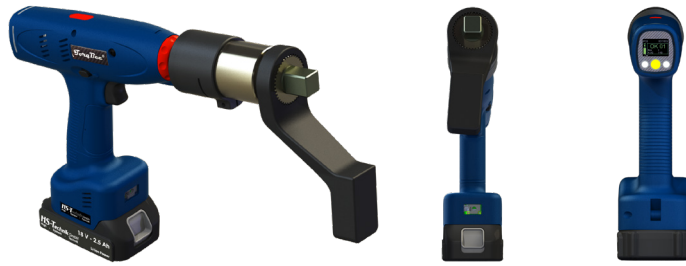
Angle Tool	Torque	Speed	Multiplier	Tool adapter	Dimensions L × B × H	Weight
<b>TBAECO-190*</b>	60 - 190 Nm	4.0 - 40.0 U/min	RAD	3/4" - square	474 × 72 × 132 mm	2.24 kg
<b>TBAECO-380*</b>	120 - 380 Nm	2.0 - 20.0 U/min	RAD	3/4" - square	474 × 72 × 146 mm	2.53 kg
<b>TBAECO-675*</b>	220 - 675 Nm	1.0 - 10.0 U/min	RAD	3/4" - square	474 × 72 × 146 mm	2.53 kg
<b>TBAECO-830*</b>	260 - 830 Nm	0.7 - 7.0 U/min	RAD	3/4" - square	482 × 72 × 185 mm	3.90 kg
<b>TBAECO-1250*</b>	500 - 1250 Nm	0.4 - 4.0 U/min	RAD	3/4" - square	482 × 72 × 185 mm	3.90 kg

\*  
W = Wi-Fi option  
B = Barcode reader option  
WB = Wi-Fi & barcode reader option

The tools must be used with suitable torque reaction arm only!  
Torque reaction arm not included in scope of delivery, find reaction arms on page 14.  
Dimensions and weight indications without battery.

# TotqBee® HT-ECO-Series

Programmable Tool with torque transducer



Pistol Tool	Torque	Speed	Multiplier	Tool adapter	Dimensions L x B x H	Weight
TBPECO-250*	65 - 250 Nm	2.0 - 20.0 U/min	Norbar	3/4" - square	380 x 72 x 215 mm	3.75 kg

\*

W = Wi-Fi option

B = Barcode reader option

WB = Wi-Fi & barcode reader option

The tools must be used with suitable torque reaction arm only!  
Dimensions and weight indications without battery.



Angle Tool	Torque	Speed	Multiplier	Tool adapter	Dimensions L x B x H	Weight
TBAECO-500*	180- 500 Nm	1.0 - 10.0 U/min	Norbar	3/4" - square	520 x 72 x 238 mm	4.80 kg
TBAECO-1000*	300- 1000 Nm	0.5 - 5.0 U/min	Norbar	3/4" - square	585 x 72 x 241 mm	5.20 kg

\*

W = Wi-Fi option

B = Barcode reader option

WB = Wi-Fi & barcode reader option

The tools must be used with suitable torque reaction arm only!  
Dimensions and weight indications without battery.

# TotqBee® HT-EC-Series

Programmable DC-tool with torque transducer and angle encoder

- rotating torque transducer and angle encoder
- **Torque accuracy**  
≤ +/- 2,5 %
- **6-step programmability**
  - Torque
  - Current
  - Angle
  - Speed
  - Time
- **Handle vibration alarm**
- **Multi-colored LED indicator, visible from all angles**
- **Intelligent battery management**
- **Brushless, high-power motor**
- **Display of the tightening results**
- **Brake energy recovery extends the battery life**
- **Maximum ergonomics**
- **Updates can be installed via USB**
- **OLED display**
- **Screw counter**
- **Counter memory function**
- **100 individual programs**
- **Min. 150,000 tightening results incl. torque and angle curve are stored in the tool**
- **OK/NOK evaluation of the shut-off result**
- **All common tightening strategies can be programmed**
- **Optional: Barcode reader & Wi-Fi**

For further information on the programming software, please visit our website.



## TotqBee® HT-EC-Serie – Benefits in comparison to the tools on the previous pages

- Rotating torque transducer and angle encoder for the highest level of precision.
- Highest level of precision even when running counterclockwise
- Suitable for class A, B & C joints.

# TotqBee® HT-EC-Series

Programmable DC-tool with torque transducer and angle encoder



Pistol Tool	Torque	Speed	Multiplier	Tool adapter	Dimensions L × W × H	Weight
<b>TBPEC-150*</b>	50 - 150 Nm	4.0 - 40.0 U/min	RAD	3/4" - square	312 × 72 × 211 mm	1.90 kg
<b>TBPEC-300*</b>	90 - 300 Nm	2.0 - 20.0 U/min	RAD	3/4" - square	312 × 72 × 211 mm	1.90 kg
<b>TBPEC-525*</b>	165 - 525 Nm	1.0 - 10.0 U/min	RAD	3/4" - square	326 × 72 × 211 mm	2.30 kg
<b>TBPEC-645*</b>	200 - 645 Nm	0.7 - 7.0 U/min	RAD	3/4" - square	365 × 72 × 250 mm	3.30 kg
<b>TBPEC-1250*</b>	400 - 1250 Nm	0.4 - 4.0 U/min	RAD	3/4" - square	365 × 72 × 250 mm	3.30 kg

\*  
W = Wi-Fi option  
B = Barcode reader option  
WB = Wi-Fi & barcode reader option

The tools must be used with suitable torque reaction arm only!  
Torque reaction arm not included in scope of delivery, find reaction arms on page 14.  
Dimensions and weight indications without battery.



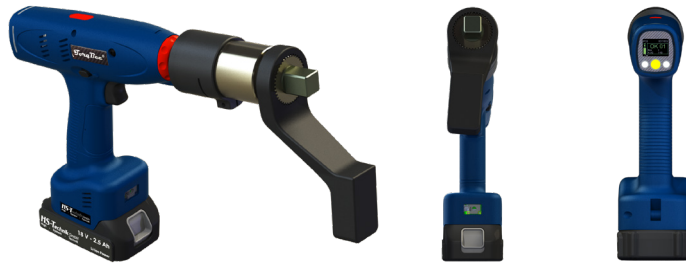
Angle Tool	Torque	Speed	Multiplier	Tool adapter	Dimensions L × W × H	Weight
<b>TBAEC-190*</b>	60 - 190 Nm	4.0 - 40.0 U/min	RAD	3/4" - square	474 × 72 × 132 mm	2.24 kg
<b>TBAEC-380*</b>	120 - 380 Nm	2.0 - 20.0 U/min	RAD	3/4" - square	474 × 72 × 146 mm	2.53 kg
<b>TBAEC-675*</b>	220 - 675 Nm	1.0 - 10.0 U/min	RAD	3/4" - square	474 × 72 × 146 mm	2.53 kg
<b>TBAEC-830*</b>	260 - 830 Nm	0.70 - 7.0 U/min	RAD	3/4" - square	482 × 72 × 185 mm	3.90 kg
<b>TBAEC-1250*</b>	500 - 1250 Nm	0.40 - 4.0 U/min	RAD	3/4" - square	482 × 72 × 182 mm	3.90 kg

\*  
W = Wi-Fi option  
B = Barcode reader option  
WB = Wi-Fi & barcode reader option

The tools must be used with suitable torque reaction arm only!  
Torque reaction arm not included in scope of delivery, find reaction arms on page 14.  
Dimensions and weight indications without battery.

# TotqBee® HT-EC-Series

Programmable DC-tool with torque transducer and angle encoder



Pistol Tool	Torque	Speed	Multiplier	Tool adapter	Dimensions L x W x H	Weight
TBPEC-250*	65 - 250 Nm	2.0 - 20.0 U/min	Norbar	3/4" - Vierkant	380 x 72 x 215 mm	3.75 kg

\*

W = Wi-Fi option

B = Barcode reader option

WB = Wi-Fi & barcode reader option

The tools must be used with suitable torque reaction arm only!  
Dimensions and weight indications without battery.



Angle Tool	Torque	Speed	Multiplier	Tool adapter	Dimensions L x W x H	Weight
TBAEC-500*	180- 500 Nm	1.0 - 10.0 U/min	Norbar	3/4" - square	520 x 72 x 238 mm	4.80 kg
TBAEC-1000*	300- 1000 Nm	0.5 - 5.0 U/min	Norbar	3/4" - square	585 x 72 x 241 mm	5.20 kg

\*

W = Wi-Fi option

B = Barcode reader option

WB = Wi-Fi & barcode reader option

The tools must be used with suitable torque reaction arm only!  
Dimensions and weight indications without battery.

# TotqBee® HT-EC/-ECO-Series Accessories

## Reaction Arm for RAD-Multiplier

---

Order no.	description
-----------	-------------

28760	Standard Reaction Arm
-------	-----------------------



Order no.	description
-----------	-------------

28771	short Reaction Arm
-------	--------------------



Order no.	description
-----------	-------------

28773	adjustable Reaction Arm
-------	-------------------------



# TotqBee® HT-EC/-ECO-Series Accessories

## Reaction Arm for Norbar-Multiplier

Order no.	description
-----------	-------------

030000383	Standard Reaction Arm
-----------	-----------------------



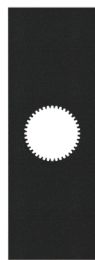
Order no.	description
-----------	-------------

030000451	one-sided Reaction Arm
-----------	------------------------



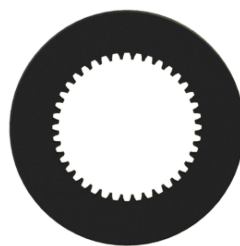
Order no.	description
-----------	-------------

030000452	double-sided Reaction Arm
-----------	---------------------------



Order no.	description
-----------	-------------

030000384	welding ring
-----------	--------------



# Accessories

---

## Clamp on the housing

Suitable for all TBA and TBS models HST-3618



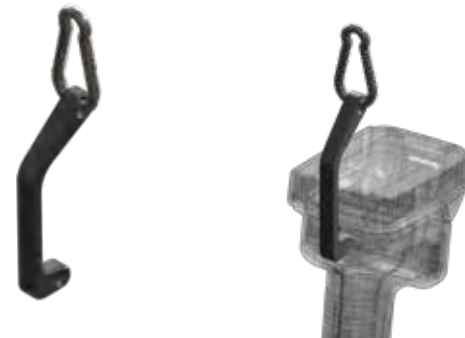
## Clamping on the EC intermediate gearbox

TBAEC-30/55/85 or based on the TBAEC-30/55/85 HST-3580



## Vertical mounting

Suitable for all TBS models HST-3624



### Battery

	<b>PTB-2040</b>
Voltage	18 V
Capacity	4 Ah
Compatible with	TorqBee-Serie, NutBee-Serie, RivBee-Serie und weitere
Gewicht	620 g



PTB-2040

### Battery cover

Order no.	Suitable for battery
PTB-2040-Cover	PTB-2040



PTB-2040-Cover

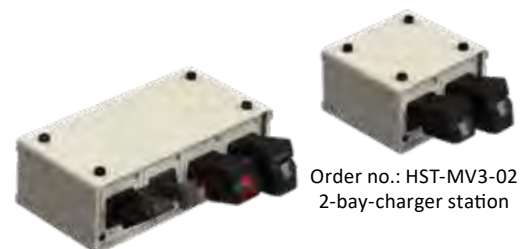
### HST-PR-2830 (Single charger)

Order no.	HST-PR-2830 / HST-PR-2830-USA
Input	220 - 240 V AC, 50 - 60 Hz / 110 V AC, 50 - 60 Hz
Charging current	3 A
Output	max. 21 V
Charging time	max. 55 min with 2.5 Ah battery
Shut-off criteria	ΔU, temperature shut-off
Weight	approx. 550 g
Dimensions W × H × D	approx. 85 × 110 × 155 mm



### HST-MV3 (Multi-bay-charger)

Order-No.	HST-MV3-02 / HST-MV3-04 / HST-MV3-04W	
Input	85 - 260 V AC, 47 - 63 Hz	
Power output	max. 624 W	
Efficiency	> 89 %	
Output	56 V / 624 VA	
Power supply ventilator	≤ 45°C (OFF) ≥ 50°C (ON)	
Weight	HST-MV3-02	ca. 4.7 kg
	HST-MV3-04	ca. 7.6 kg (Row)
	HST-MV3-04W	ca. 7.6 kg (Cube)
Dimensions W × H × D without battery adapter, incl. feet	HST-MV3-02	289 × 182 × 260 mm
	HST-MV3-04	539 × 182 × 260 mm
	HST-MV3-04W	289 × 330 × 260 mm
Tested	CE, EN55022B, EN61000-3-2,-3, EN61000-4-2, 3, 4, 5, 6, 8, 11 EN60950	



Order no.: HST-MV3-02  
2-bay-charger station

Order no.: HST-MV3-04  
4-bay-charger station  
row form



Order no.: HST-MV3-04W  
4-bay-charger station  
cube form

# Accessories

## HST-MV3 battery adapter

The specifications of the battery cell manufacturers and the specifications of the battery pack from each manufacturer are taken into account in the charging process.

Order no.	For battery types	
M-MV3-PR	HS-Technik HST-PR	14.4 & 18 V Li-Ion
M-MV3-BH	Makita Makstar (BL)	14.4 & 18 V Li-Ion
	Makita Makstar (BH)	9.6 - 24 V Ni-MH
	HST-BL	14.4 & 18 V Li-Ion
	HST-BH	9.6 - 24 V Ni-MH
M-MV3-BO-LI	Bosch	14.4 & 18 V Li-Ion
M-MV3-BO-10	Bosch	10.8 V Li-Ion
M-MV3-BO-NI	Bosch	7.2 - 18 V Ni-Cd & Ni-MH
M-MV3-FEIN	Fein ASM / ASW	10.8 / 14.4 / 18 V Li-Ion
M-MV3-CPN	Atlas Copco	18 & 36 V Li-Ion (before 2021 3-pole batteries)
	Desoutter	18 & 36 V Li-Ion (before 2021 3-pole batteries)
M-MV3-Cleco	Apex Cleco Power Tools	26 & 44 V Li-Ion
M-MV3-AC30	Atlas Copco	18 & 30 V Li-Ion
M-MV3-UNI	Makita	7.2 - 24 V Ni-Cd & Ni-MH
	Bosch	7.2 - 18 V Ni-Cd & Ni-MH
	Gesipa	12 V Ni-Cd & Ni-MH
	Gesipa	14.4 V Li-Ion
M-MV3-GE	Gesipa	18 V Li-Ion
M-MV3-PA-36	Panasonic	3.6 V Li-Ion
M-MV3-PA-LI	Panasonic	10.8 / 14.4 / 18 V Li-Ion
M-MV3-PA-72	Panasonic	7.2 V Li-Ion
M-MV3-IR	Ingersoll Rand	20 & 40 V Li-Ion
M-MV3-SCS	SCS	3.6 V
M-MV3-DES	Desoutter	18 & 36 V Li-Ion (since 2021 with electronic)

Example pictures:



M-MV3-PR



M-MV3-BH



M-MV3-BO-LI



M-MV3-BO-10



M-MV3-FEIN



M-MV3-CPN



M-MV3-UNI



M-MV3-PA-LI



M-MV3-PA-36

If you require battery adapters for older charging stations, please contact us.  
Additional battery adapters upon request.





# **HS-T***echnik* GmbH

**High - System - Technik**

Im Martelacker 12

D-79588 Efringen-Kirchen

Telephone: +49 (0) 76 28 - 91 11-0

Fax: +49 (0) 76 28 - 91 11-90

E-mail: [info@hs-technik.com](mailto:info@hs-technik.com)

Internet: [www.hs-technik.com](http://www.hs-technik.com)

© Copyright June 2021

Subject to modifications and errors. All figures are non-binding.

We reserve the right to make technical changes to our products and the range of products as a result of further development.

Reproduction and the use of texts, even excerpts of our brochures is prohibited and will be prosecuted.